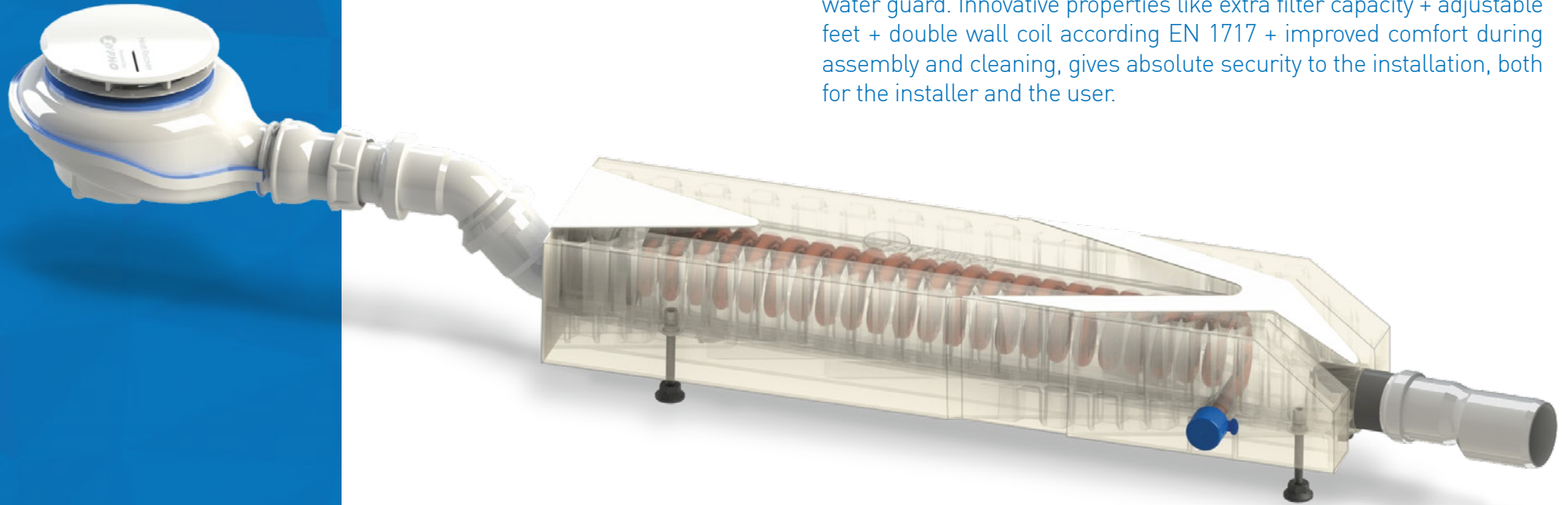


TECHNICAL SPECIFICATIONS



ZYPHO iZi SHOWER TRAY

Zypho® iZi Shower Tray is compatible with all shower trays with standard 90 diameter hole, preventing odours from rising with its 50mm water guard. Innovative properties like extra filter capacity + adjustable feet + double wall coil according EN 1717 + improved comfort during assembly and cleaning, gives absolute security to the installation, both for the installer and the user.



SHOWER TRAY
izi
30
HIGH FLOW
REF ZYIZ30D10SV

SHOWER TRAY
izi
40
ECO SHOWER
REF ZYIZ40D10SV



Easy to install



Easy to clean



High performance filters



No Power
No Batteries.
No Wires



Legionella free



Up to 40%
energy efficiency



5 years
warranty



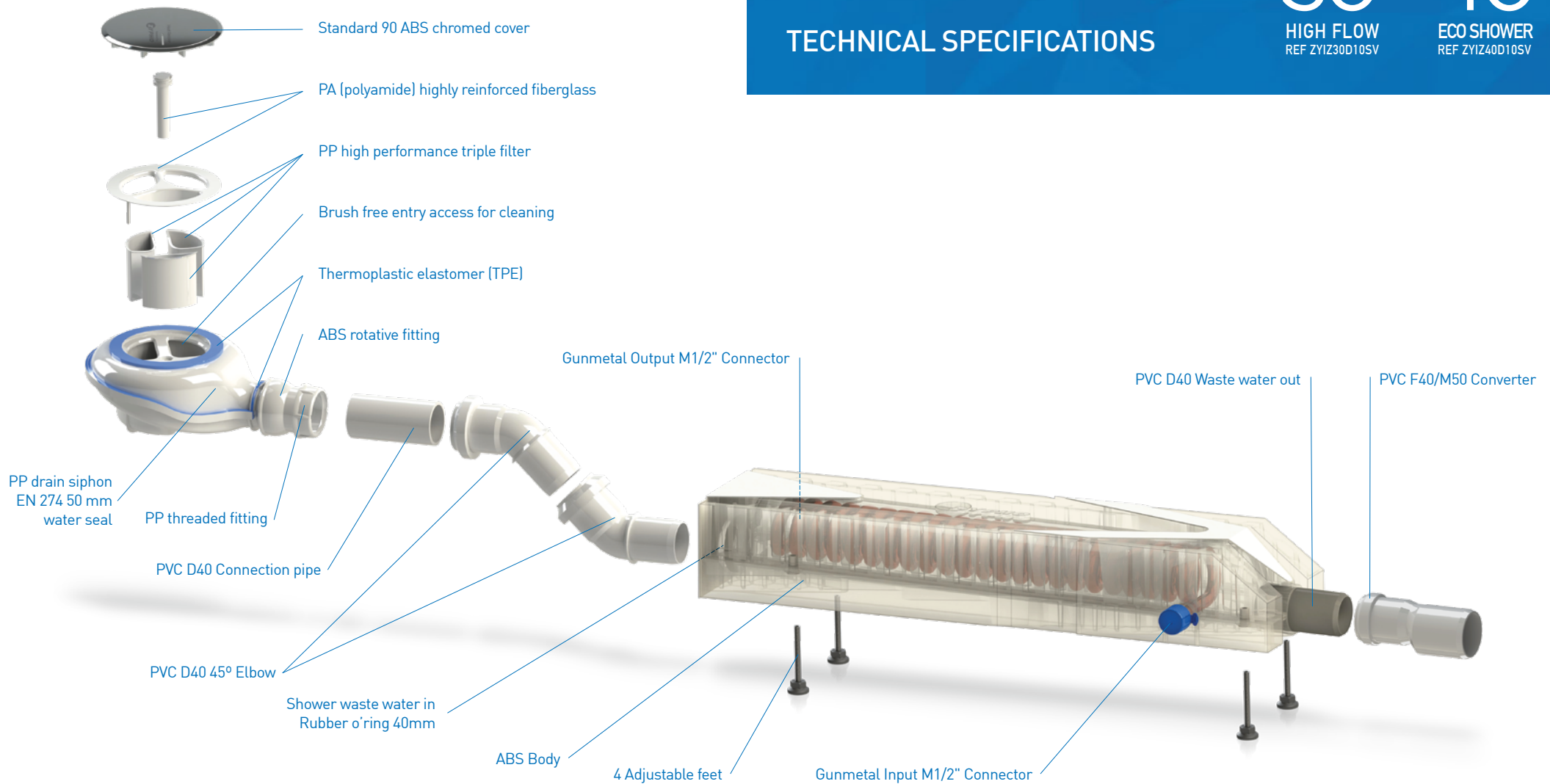
Over 15 000 installations
around the world



TECHNICAL SPECIFICATIONS

SHOWER TRAY
izi
30
HIGH FLOW
REF ZYIZ30D10SV

SHOWER TRAY
izi
40
ECO SHOWER
REF ZYIZ40D10SV

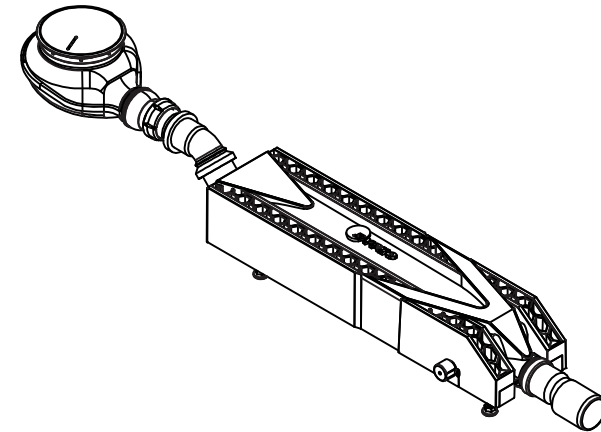
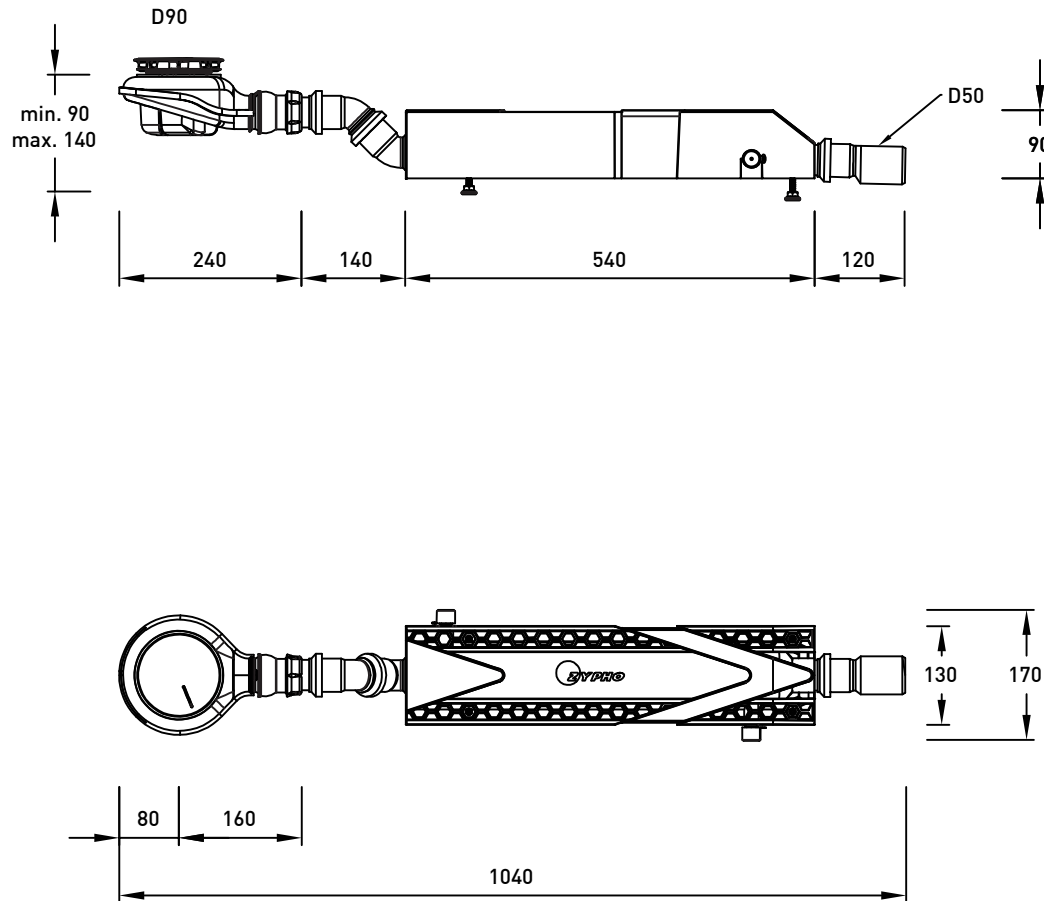





TECHNICAL DRAWING

SHOWER TRAY
izi
30
HIGH FLOW
REF ZYIZ30D10SV

SHOWER TRAY
izi
40
ECO SHOWER
REF ZYIZ40D10SV



	COMPANY	Zypho, S.A.			
DESCRIPTION		Technical drawing			
PROJECT		Zypho iZi Shower Tray		DESIGNER J. Meliço	
DATE	TOLERANCE	SCALE	UNITS	VERSION	
20/04/20	+/- 2%	1:10	mm	MG_DTEN0220V1	